

FINBIN®

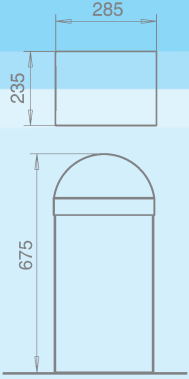

Ashtrays

The FinBin® Litter Bin Series offers a variation of cigarette disposal units for taking care of the environment in smoking areas. The products are for both indoor and outdoor use. The design resembles FinBin® litter bins.



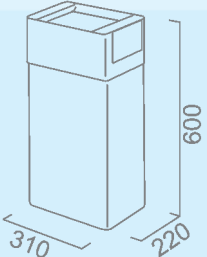

FinBin® Volcano

FinBin® Volcano	
Measurements (h x diam.)	790 x 315 mm
Weight	19 kg
Capacity	16 l
Metal thickness	2 mm



FinBin® Ash Archie

FinBin® Ash Archie	
Measurements (h x w x d)	675 x 285 x 235 mm
Aperture (h x w)	80 x 180 mm
Weight	7,5 kg
Liner	25 l
Metal thickness	1,25 mm



FinBin® Grate

FinBin® Grate	
Measurements (h x w x d)	600 x 320 x 250 mm
Aperture (h x w)	95 x 150 mm
Weight	10 kg
Liner	32 l
Metal thickness	1,25 mm